

BALDOR® • RELIANCE 

Product Information Packet

CECP4312T

50HP, 1185RPM, 3PH, 60HZ, 365TC, TEFC, F1

Part Detail							
Revision:	H	Status:	PRD/A	Change #:		Proprietary:	No
Type:	AC	Elec. Spec:	A36WG0466	CD Diagram:	416820-002	Mfg Plant:	
Mech. Spec:		Layout:	611740-503-SH1	Poles:	06	Created Date:	11-27-2013
Base:		Eff. Date:	04-24-2020	Leads:	3#4,6#6		

Specs			
Catalog Number:	CECP4312T	Heater Indicator:	No Heater
Enclosure:	TEFC	Insulation Class:	F
Frame:	365TC	Inverter Code:	Inverter Ready
Frame Material:	Iron	KVA Code:	F
Output @ Frequency:	50.000 HP @ 60 HZ	Lifting Lugs:	Standard Lifting Lugs
Synchronous Speed @ Frequency:	1200 RPM @ 60 HZ	Motor Lead Quantity/Wire Size:	3 @ 4 AWG
Voltage @ Frequency:	230.0 V @ 60 HZ	Motor Type:	A36062M
	460.0 V @ 60 HZ	Mounting Arrangement:	F1
XP Class and Group:	CLI GP A,B,C,D	Power Factor:	81
XP Division:	Division II	Product Family:	General Industrial
Agency Approvals:	CSA EEV	Pulley End Bearing Type:	Ball
Auxillary Box:	No Auxillary Box	Pulley Face Code:	C-Face
Base Indicator:	Rigid	Shaft Ground Indicator:	No Shaft Grounding
Bearing Grease Type:	Polyrex EM (-20F +300F)	Shaft Rotation:	Reversible
Constant Torque Speed Range:	6-60	Shaft Slinger Indicator:	Shaft Slinger
Current @ Voltage:	123.000 A @ 230.0 V	Speed Code:	Single Speed
	61.700 A @ 460.0 V	Motor Standards:	NEMA
Design Code:	B	Starting Method:	Direct on line

Drip Cover:	No Drip Cover	Thermal Device - Bearing:	None
Duty Rating:	CONT	Thermal Device - Winding:	None
Feedback Device:	NO FEEDBACK	XP Temp Code:	T3A

Nameplate NP2496L

MOBIL POLYREX EM

Nameplate NP3238									
CAT NO	CECP4312T	SPEC NO.	A36-4049-0466						
HP	50	AMPS	123/61.7	VOLTS	230/460	DESIGN	B		
FRAME	365TC	RPM	1185	HZ	60	AMB	40	SF	1.15
D.E. BRG.DATA	6313	O.D.E. BRG.DATA	6313	PH	3	DUTY	CONT	INSUL.CLASS	F
D.E. BRG.	65BC03J30X	TYPE	P	ENCL	TEFC	CODE	F	NEMA NOM EFFICIENCY	94.1
O.D.E. BRG.	65BC03J30X	POWER FACTOR	81	MAX CORR KVAR	14.0	GUARANTEED EFFICIENCY	93		
3/4 LOAD EFF.	94.4	TEMP CODE	T3A	TEMP =	180				
CHP HZ	60-90	CT HZ	6-60	VT HZ	0-60				
INVERTER-TEMP-CODE	T3A								
SER.NO.		MOTOR WEIGHT							

Parts List		
Part Number	Description	Quantity
SA272932	SA A36-4049-0466	1.000 EA
RA259537	RA A36-4049-0466	1.000 EA
421948032	LABEL, MYLAR	1.000 EA
NP2496L	MOTOR LUBE NAMEPLATE	1.000 EA
000613006PU	N/P (RELEASE QTY 10,000) UL CSA LABEL	1.000 EA
000692000VD	LABEL WARNING	1.000 EA
NP3238	SS CP XEX SEVERE DUTY MAIN NP	1.000 EA
085922073B	BRKT 360 085922072WCC KB	1.000 EA
415072001B	CLAMP	1.000 EA
078559001A	+FANCV - 360	1.000 EA
034180012DA	KEY 1X4X1/4X1-1/2 L	1.000 EA
412118006A	DRAIN	1.000 EA
078550001M	FAN KB 60/30 (30) 360	1.000 EA
004824015A	GREASE POLYREX EM	0.540 LB
032018012DK	HHCS 1/2-13X1-1/2 PLTD.	4.000 EA
032018008AK	HHCS 1/4-20X1 PLATED	4.000 EA
032018024CK	HHCS 3/8-16X3 PLTD.	3.000 EA
415096002A	CPLG 1/8 HEX TYPE	1.000 EA
415045002E	SLGR	1.000 EA
410700004F	WSHR	1.000 EA
034530052AB	P/NIP 1/8X6-1/2 GALV.	1.000 EA
034690002AB	PPLG 1/4" PLTD.	1.000 EA
034690002AB	PPLG 1/4" PLTD.	1.000 EA
085922070B	BRKT 360 085922069WCA	1.000 EA

Parts List (continued)		
Part Number	Description	Quantity
032018012DK	HHCS 1/2-13X1-1/2 PLTD.	4.000 EA
032018024CK	HHCS 3/8-16X3 PLTD.	3.000 EA
415045002E	SLGR	1.000 EA
412118006A	DRAIN	1.000 EA
076708000BB	CONDUIT BOX-360	1.000 EA
065776000C	GASKET,MAIN CBOX, 320-400	1.000 EA
076709000A	C/B Cover - 360	1.000 EA
067053000B	GASK 320-400	1.000 EA
418150003A	GREASE FITTING CAP	1.000 EA
032018010CK	HHCS 3/8-16X1-1/4 PLTD. 032018010CR	4.000 EA
035000001A	ALFTG 1/8" 1610-BL	1.000 EA
415000103H	T/LUG #2AWG-4/0AWG	1.000 EA
033512008LB	HHTTS 1/4-20X1 PLATED	4.000 EA
406099000A	PLUG - FAN COVER 320-440	1.000 EA
034000014AB	WSH ID.406 OD.812 TH.065	4.000 EA
048977006B	GRFTG - XP	1.000 EA
035000001A	ALFTG 1/8" 1610-BL	1.000 EA
418150003A	GREASE FITTING CAP	1.000 EA
MG1025N19	WILKO 778.50 BLUE GREEN - 55 GAL DRUMS	0.250 GA
033775004EA	DRSCR #6-1/4 304 S.S.	4.000 EA
034180034HA	KEY 5/8X5/8X4-1/4 L	1.000 EA
HW1000A32	5/16 FL WASHER WIDE,ID=.344,OD=1.125	3.000 EA
032509020C	CARRIAGE BOLT - 360	3.000 EA
LB1449	DIV-2/NEC WARNING LABEL	1.000 EA

Product Information Packet: CECP4312T - 50HP,1185RPM,3PH,60HZ,365TC,TEFC,F1

14PA1000	PACKAGING 314 GROUP COMBINED PRINT	1.000 EA
032018005DL	1/2-13 X 5/8 SILICON BRONZE HHCS	1.000 EA

REL. S.O.	FRAME	HP	TYPE	PHASE/HERTZ	RPM	VOLTS
	365T	50	P	3/60	1185	230/460
AMPS	DUTY	AMB °C/ INSUL.	S.F.	NEMA DESIGN	CODE LETTER	ENCL.
123/61.7	CONT	40/B	1.15	B	F	XPFC
E/S	ROTOR	TEST S.O.	TEST DATE	STATOR RES. @25 °C (OHMS (BETWEEN LINES))		
892104	418141-74EE	---	---	.0325/.130		

PERFORMANCE

LOAD	HP	AMPERES	RPM	POWER FACTOR	EFFICIENCY
NO LOAD	0	21.3	1200	5.08	0
1/4	12.5	26.2	1197	49.4	90.8
2/4	25.0	35.6	1193	70.0	93.9
3/4	37.5	47.8	1190	77.8	94.4
4/4	50.0	61.7	1186	80.6	94.2
5/4	62.5	76.7	1182	81.5	93.6

SPEED TORQUE

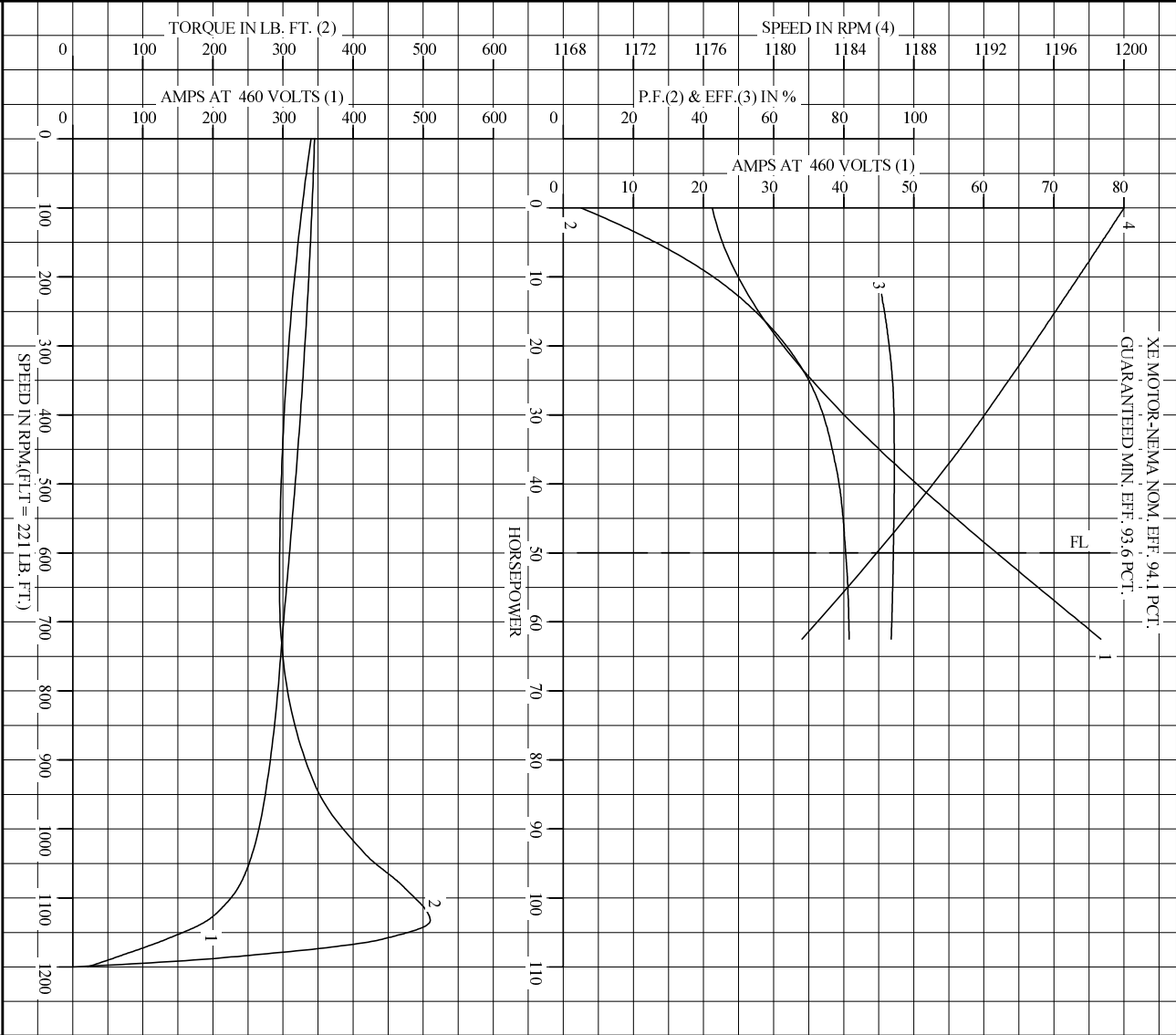
	RPM	TORQUE % FULL LOAD	TORQUE LB.-FT.	AMPERES
LOCKED ROTOR	0	154	340	345
PULL UP	650	133	295	305
BREAKDOWN	1133	230	510	191
FULL LOAD	1186	100	221	61.7

AMPERES SHOWN FOR 460. VOLT CONNECTION. IF OTHER VOLTAGE CONNECTIONS ARE AVAILABLE, THE AMPERES WILL VARY INVERSELY WITH THE RATED VOLTAGE

REMARKS: TYPICAL DATA
 XE MOTOR-NEMA NOM. EFF. 94.1 PCT.
 GUARANTEED MIN. EFF. 93.6 PCT.

BALDOR	DR. BY	W. L. SMITH	A-C MOTOR
	CK. BY	J. J. HARRISON	
	APP. BY	W. L. SMITH	PERFORMANCE
	DATE	12/07/05	DATA
			A36WG0466-R001
			ISSUE DATE 12/14/10

REL. S.O. RPM 1185 S.F. 1.15 ROTOR 418141-74EE
 FRAME 365T VOLTS 230/460 NEMA DESIGN B TEST S.O. TYPICAL DATA
 HP 50 AMPS 123/61.7 CODE LETTER F TEST DATE ---
 TYPE P DUTY CONT ENCLOSURE XPFC STATOR RES. @ 25 °C .0325/.130
 PHASE/HERTZ 3/60 AMB °C/INSUL 40/B E/S 892104 OHMS (BETWEEN LINES)

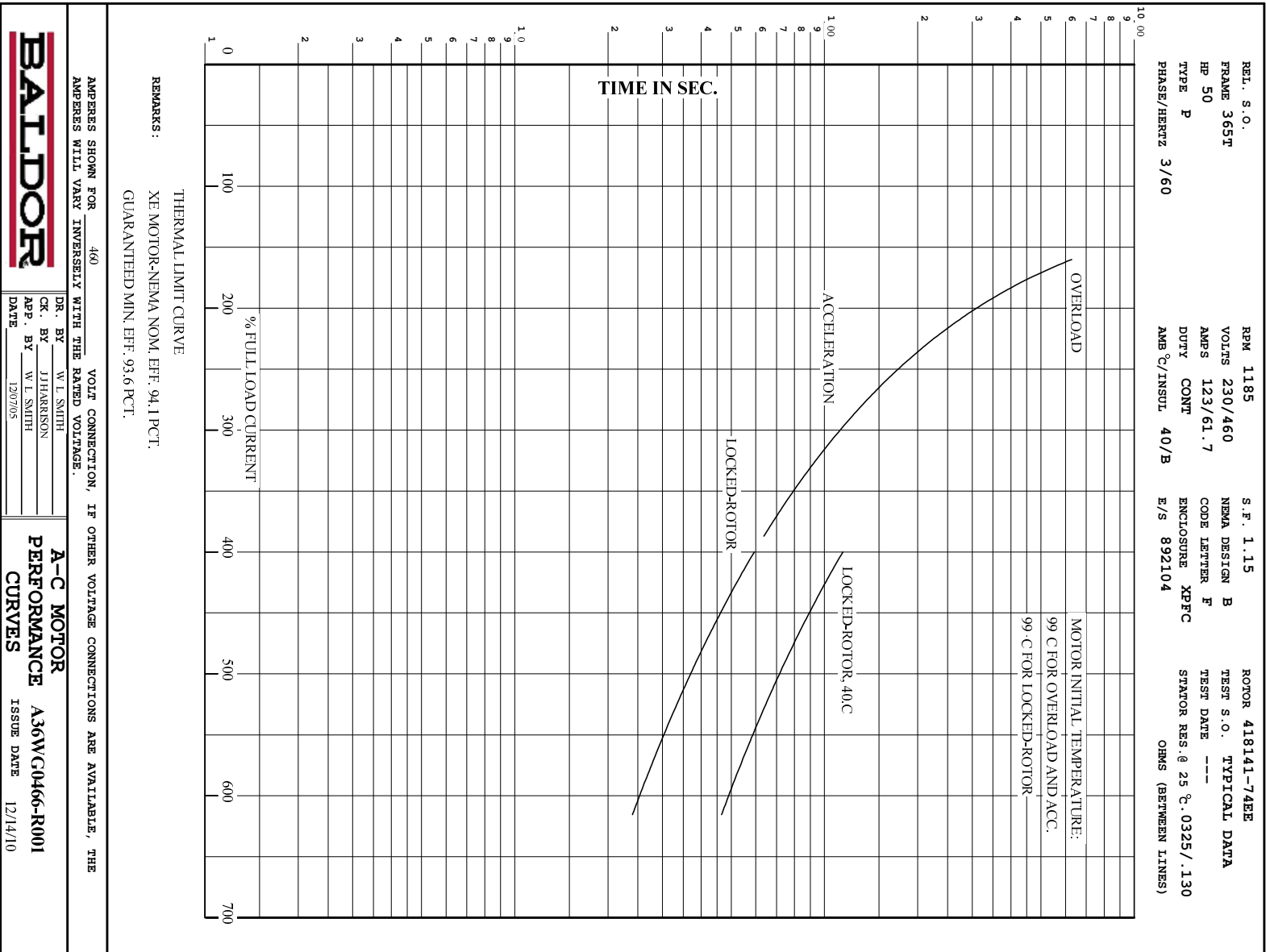


BALDOR

DR. BY W.L. SMITH
 CK. BY J.H. HARRISON
 APP. BY W.L. SMITH
 DATE 12/07/05

A-C MOTOR PERFORMANCE CURVES A36WG0466-R001
 ISSUE DATE 12/14/10

Printed on 12/14/10 18:22 @ psecs-motoreng



611740-503-SHI

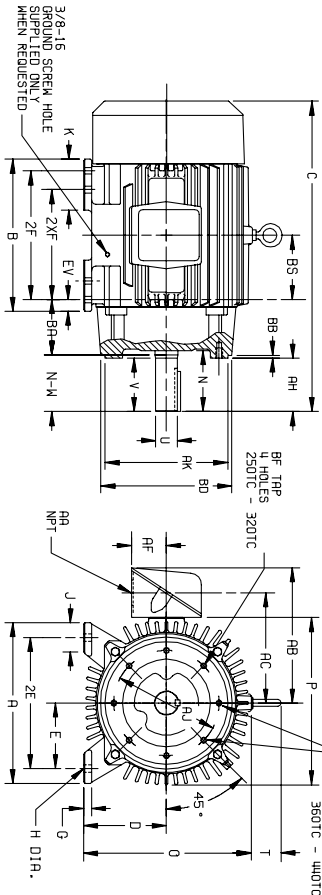
DUTY MASTER ALTERNATING CURRENT MOTORS

SQUIRREL-CAGE INDUCTION

ENCLOSURE: TOTALLY ENCLOSED
MOUNTING: FOOT, NEMA "C" FACE

FRAMES 250TC THRU 440TC

COOLING: FAN COOLED
CAST IRON CONSTRUCTION



DIMENSIONS ARE IN INCHES. SEE SHEET 2 FOR DIMENSIONS IN MILLIMETERS.

FRAME	A	D(2)	E	G	H	J	K	EV	O	P	T	CAST IRON TERMINAL BOX										MIN. DEPTH		
												AA	AB	AC	AF	BA	BB	BD	BF	AJ	AK			
254TC-256TC	12.50	6.25	5.00	.75	.56	2.50	---	1.00	13.25	13.25	2.44	1-1/4	410.81	8.81	2.50	4.75	2.25	9.00	1/2-13	.75	7.25	8.500		
284TC-286TC	13.75	7.00	5.50	.75	.56	2.50	---	1.00	14.75	14.88	2.44	1-1/2	212.62	10.19	3.00	4.75	2.25	11.25	1/2-13	.75	9.00	10.500		
324TC-326TC	15.50	8.00	6.25	.88	.69	2.75	4.50	1.38	16.69	17.00	2.44	2	15.44	11.69	3.62	5.25	2.51	13.12	5/8-11	.94	11.00	12.500		
364TC-365TC	17.00	9.00	7.00	.88	.69	2.75	3.88	1.38	18.50	19.50	2.44	3	18.00	13.81	4.12	5.88	2.51	13.00	5/8-11	.94	11.00	12.500		
404TC-405TC	17.00	10.00	8.00	1.12	.81	3.25	4.62	1.13	21.31	22.50	2.94	3	19.25	15.06	4.12	6.62	2.51	13.12	5/8-11	.94	11.00	12.500		
444TC-445TC	21.00	11.00	9.00	1.12	.81	3.25	5.25	1.25	23.38	25.25	3.25	3	22.19	17.44	6.00	7.50	2.51	16.75	5/8-11	.94	14.00	16.000		

FRAME	C	BS	B	2F	(4) 2F	N	NI	N-W(7)	U(3)	V	SG	LGTH	WEIGHT
SIZE													LBSS. (5)
254TC	25.06	5.00	12.00	---	8.25	4.06	3.75	4.00	1.625	3.75	3.75	2.88	345
284TC	29.06	5.00	12.00	10.00	---	4.06	3.75	4.00	1.625	3.75	3.75	2.88	395
324TC	33.06	5.50	13.00	---	9.50	5.00	4.38	4.62	1.875	4.38	5.00	3.25	485
364TC	36.06	5.50	13.00	---	9.50	5.00	4.38	4.62	1.875	4.38	5.00	3.25	485
404TC	40.06	6.00	14.75	---	10.50	5.62	5.00	5.25	2.125	5.00	5.00	3.88	605
444TC	44.06	6.00	14.75	---	10.50	5.62	5.00	5.25	2.125	5.00	5.00	3.88	605
324TC	36.44	6.00	14.75	---	10.50	5.62	5.00	5.25	2.125	5.00	5.00	3.88	645
364TC	39.44	6.12	13.00	---	11.25	6.25	3.62	3.88	2.375	3.62	6.25	4.25	890
404TC	42.44	6.12	13.00	---	11.25	6.25	3.62	3.88	2.375	3.62	6.25	4.25	890
444TC	45.44	6.12	13.00	---	11.25	6.25	3.62	3.88	2.375	3.62	6.25	4.25	890
365TC	39.31	6.88	16.00	---	12.25	7.50	4.00	4.25	2.615	4.00	7.50	5.62	1265
404TC	39.31	6.88	16.00	---	12.25	7.50	4.00	4.25	2.615	4.00	7.50	5.62	1265
444TC	39.31	6.88	16.00	---	12.25	7.50	4.00	4.25	2.615	4.00	7.50	5.62	1265
403TC	39.31	6.88	16.00	---	12.25	7.50	4.00	4.25	2.615	4.00	7.50	5.62	1265
443TC	43.82	8.25	19.00	---	14.50	8.50	4.00	4.25	3.125	4.50	8.50	7.25	1788
444TC	43.82	8.25	19.00	---	14.50	8.50	4.00	4.25	3.125	4.50	8.50	7.25	1788
445TC	44.82	8.25	19.00	---	14.50	8.50	4.00	4.25	3.125	4.50	8.50	7.25	1788
446TC	44.82	8.25	19.00	---	14.50	8.50	4.00	4.25	3.125	4.50	8.50	7.25	1788
447TC	44.82	8.25	19.00	---	14.50	8.50	4.00	4.25	3.125	4.50	8.50	7.25	1788
448TC	44.82	8.25	19.00	---	14.50	8.50	4.00	4.25	3.125	4.50	8.50	7.25	1788
449TC	44.82	8.25	19.00	---	14.50	8.50	4.00	4.25	3.125	4.50	8.50	7.25	1788

- SPECIAL DIMENSIONS APPLYING TO THIS ORDER ON THIS LINE. CONDUIT BOX LOCATED ON OPPOSITE SIDE WHEN F-2-W-1, W-4-W-5-W-7, OR C-1 MOUNTING IS SPECIFIED.
- "D" VARIES $\frac{1}{2}$ 50TC - 320TC +.00, -.03
 $\frac{1}{2}$ 360TC - 440TC +.00, -.06.
- "N" VARIES $\frac{1}{2}$ 425 AND LARGER +.000, -.001
 $\frac{1}{2}$ 405 AND LARGER +.000, -.005
- ALL FRAMES HAVE EIGHT MOUNTING HOLES FOR DUAL MOUNTING. MAXIMUM PERMISSIBLE SHAFT RUNOUT WHEN MEASURED AT END OF STD. SHAFT EXTENSION IS .002 T.I.R. UP TO AND INCLUDING 1.625 DIA. AND .003 T.I.R. 1.625 DIA. TO 5 INCH DIA.
- MOTOR WEIGHTS MAY VARY BY 1% DEPENDING UPON RATING. FACE RUNOUT AND $\frac{1}{2}$ 320TC - 280TC INCL. .004 MAX. T.I.R. ECCENTRICITY $\frac{1}{2}$ 320TC - 440TC INCL. .007 MAX. T.I.R.
- "AK" VARIES $\frac{1}{2}$ 250TC - 280TC +.000, -.003
 $\frac{1}{2}$ 320TC - 440TC +.000, -.005
- "N-W" VARIES +.00, -.25.

FRAME _____ TYPE _____ CERTIFIED FOR _____

ORDER _____ ITEM _____ HP _____ RPM _____ PH _____ HZ _____ VOLTS _____

SALES ORDER _____ APPROVED BY _____ DATE _____

IHS-503-0471119

CUSTOMER IS RESPONSIBLE FOR DETERMINING THAT MOTOR PERFORMANCE IS SUITABLE IN THE APPLICATION.

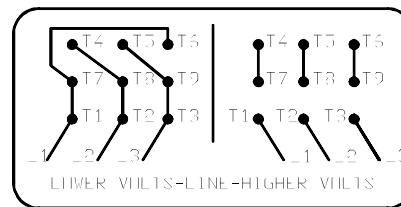
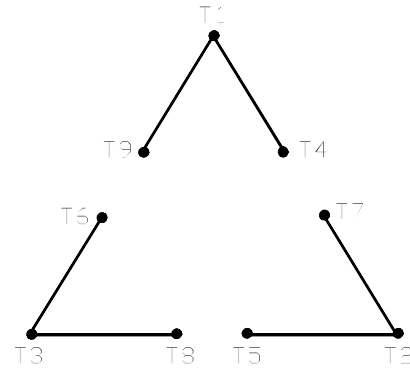
REV. DESC: REMOVING TITLEBLOCK	VERSION: 01	TDR: 000000448517
REV. LTR: A	REVISED: 14:21:04 11/07/2007	BY: CONBPM
FILE: \RAG\00004\530		
MTL: -		

BALDOR • DODGE • RELIANCE

DIM SHT 250TC-440TC TEFC FT MTG C FACE T & TS SGL EXT XT

416820-002

A-C MOTOR
 CONNECTION DIAGRAM
 STANDARD 9 LEAD DELTA-CONNECTED



(N.P. 1575-B)

416820-002

REV. DESC: FONT CHANGE FOR PDF SEARCHABLE		
REV. LTR: A	VERSION: 01	TDR: 000001009382
FILE: \MGA\00000\661	REVISED: 02:46:19 02/13/2020	BY: MGHMTT
MTL: -	⊙ □	

BALDOR - RELIANCE®

CONN DIAG - STANDARD 9 LEAD, DELTA-CONNECTED

SH 1 of 1

Marketing maintained PDF of MN408:

[MN408?ManNumber=MN408](#)

Marketing maintained PDF of MN416:

[MN416?ManNumber=MN416](#)